

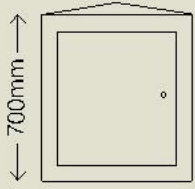
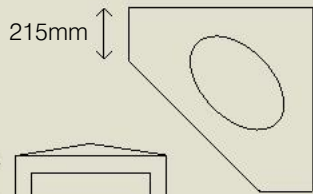


V VanitoneTM

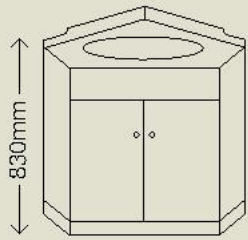
**TRADITIONALLY CRAFTED
TIMBER VANITY UNITS**

Proudly Made in Australia

www.vanitone.com.au



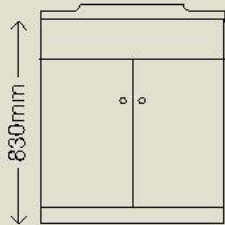
Corner Wall Unit
370mm x 370mm



750mm x 750mm Corner

BLAXLAND

Shown in Mahogany



W 750mm x D 500mm

Also Available as
W 600mm x D 500mm

BLAXLAND

Shown in Baltic



Colours



Walnut



Baltic



Mahogany



Parramatta Brown

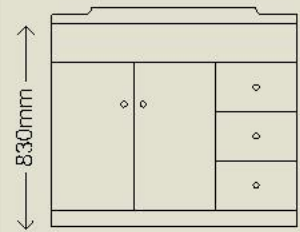


Stressed Baltic

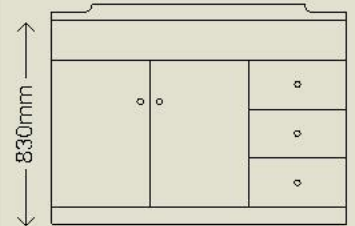
Due to the nature of the printing process, colours are an indication only and may vary slightly from the original product colour



Shown in Walnut



W 1000mm x D 500mm (pictured)
W 900mm x D 500mm (available)

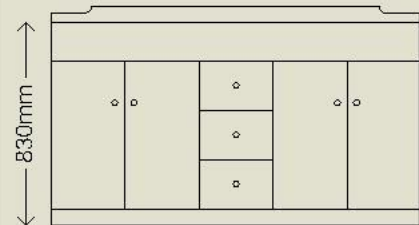


W 1200mm x D 500mm

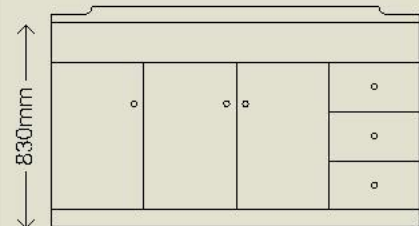
BLAXLAND



Shown in Parramatta Brown



W 1500mm x D 500mm
Double Bowl (pictured)
W 1800mm x D 500mm (available)



W 1500mm x D 500mm
Single Bowl
W 1800mm x D 500mm (available)

BLAXLAND

Options



Wall Mirror



Wall Unit (reversible)

Wall Mirror Sizes

620mm x 665mm

750mm x 665mm

1000mm x 665mm

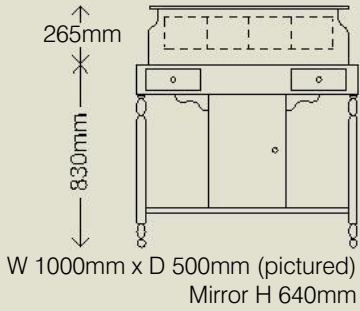
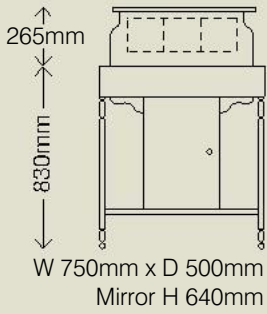
1500mm x 665mm

Wall Unit Sizes

750mm x 775mm

1000mm x 775mm

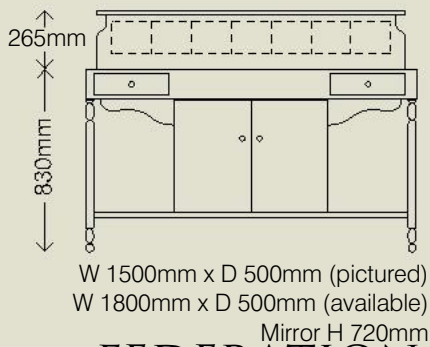
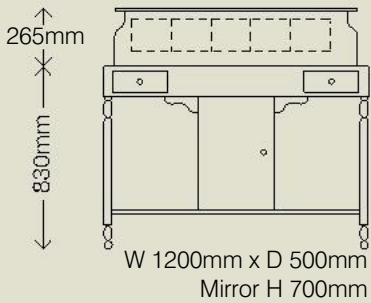
370mm x 370mm Corner



FEDERATION WASHSTAND



Shown in Walnut with optional mirror • Tiles not supplied



FEDERATION WASHSTAND



Shown in Parramatta Brown • Tiles not supplied

Colours



Walnut



Baltic



Mahogany



Parramatta Brown

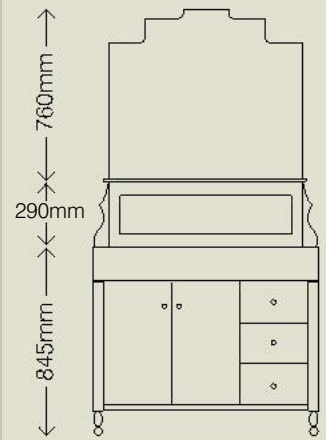


Stressed Baltic

Due to the nature of the printing process, colours are an indication only and may vary slightly from the original product colour



Shown in Stressed Baltic
with optional Flower Burns

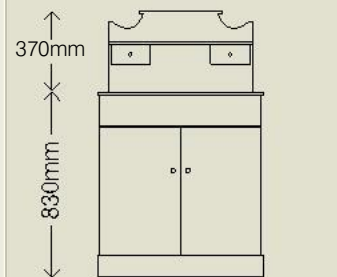


W 1000mm x D 500mm
Overall H 1895mm
W 1200mm x D 500mm (available)

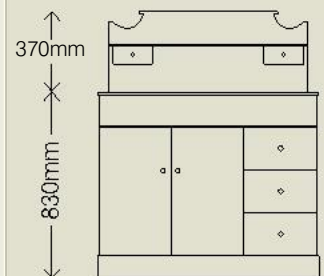
STRATFORD



Shown in Mahogany



W 750mm x D 500mm
Also Available as
W 600mm x D 500mm



W 1000mm x D 500mm (pictured)
W 1200mm x D 500mm (available)

PADDINGTON

Options



Washstand Mirror



Wall Mirror (to suit Paddington)



Wall Unit (reversible)

Wall Mirror Sizes

620mm x 665mm

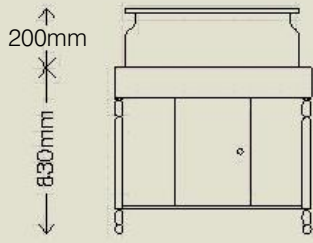
750mm x 665mm

1000mm x 665mm

Wall Unit Sizes

750mm x 775mm

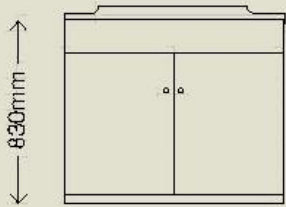
1000mm x 775mm



W 900mm x D 500mm

RENOVATOR WASHSTAND

Shown in Baltic • Use Blaxland Wall Mirror or Wall Unit



W 1000mm x D 500mm

RENOVATOR NORWOOD

Shown in Mahogany • Use Blaxland Wall Mirror or Wall Unit



Colours



Walnut



Baltic



Mahogany

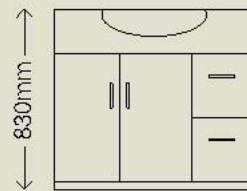


Parramatta Brown

Due to the nature of the printing process, colours are an indication only and may vary slightly from the original product colour



Shown in Mountain Ash



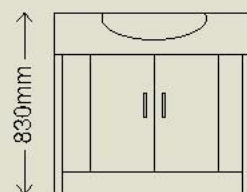
W 900mm x D 340mm

Also available
 W 600mm x D 340mm
 W 750mm x D 340mm
 W 1200mm x D 340mm

GRANGE



Shown in Chestnut



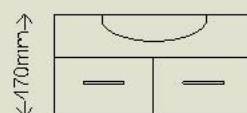
W 900mm x D 340mm

Also available
 W 600mm x D 340mm
 W 750mm x D 340mm
 W 1200mm x D 340mm

HENLEY



Shown in Mountain Ash



W 900mm x D 340mm

Also available
 W 600mm x D 340mm
 W 750mm x D 340mm
 W 1200mm x D 340mm

LINCOLN

(Wall Mounted)

Colours



Chestnut

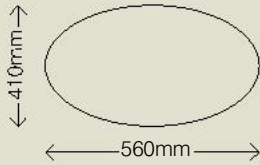


Mountain Ash

Designed to suit the Caroma Cosmo S/R Basin,
 Other Basins can be accommodated.

Due to the nature of the printing process, colours are an indication only and may vary slightly from the original product colour

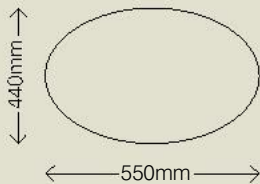
Vanitone™



CLASSIC BASIN



Colour: White • Available with 1 or 3 tap holes



FEDERATION BASIN



Colour: White • Available with 1, 2 or 3 tap holes

VANITONE furniture is moisture and humidity resistant and is treated with a durable lacquer finish.

Our units are manufactured from a combination of solid timbers and selected timber veneers. As such, variations in texture, grain and colour may occur.

Except for 'GRANGE', 'HENLEY' and 'LINCOLN', brass handles are standard on all units but chrome handles are available as a no cost option.

All measurements are approximate.

All units with drawers are supplied with right hand drawers.

Tapware, tiles and 'COSMO' basins are not supplied by **VANITONE**.

Due to the nature of the printing process colours are indicative only.

RTM AGENCIES PTY LTD reserves the right to change specifications without notice.

Copyright of this document and the Agencies and concepts presented in it are strictly reserved to **RTM AGENCIES PTY LTD**. No unauthorised use or copying is permitted. All rights reserved **March 2025**

RTM Agencies Pty Ltd

E: sales@vanitone.com.au
www.vanitone.com.au